

Airborne Blade Antenna UHF

Type TB0405



The rugged airborne antennas model TB0405 and TS2400B are specially designed for applications onboard from aircrafts, drones and missiles

ELECTRICAL SPECIFICATIONS

- Center Frequency adjustable to required frequency
- Range: 380 to 500 MHz, others on request
- Bandwidth: typ. 3 MHz at VSWR max. 2:1
- Polarisation: linear
- Gain: nom. 0 dBi
- Coverage: omni directional
- Power Rating: max. 20 W CW at sea level and 5 W CW at 10 km
- Impedance: 50 Ohms
- VSWR at f_c : better than 1.3:1
- at $f_c \pm 0,5$ MHz better than 1,5:1

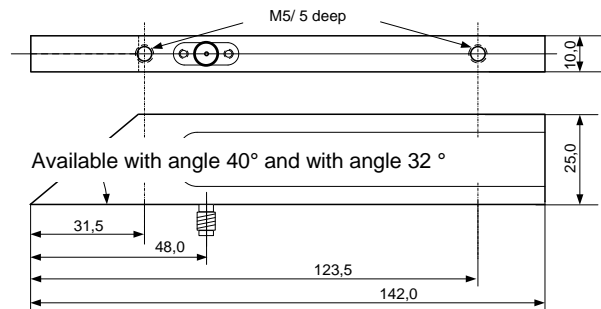
MECHANICAL SPECIFICATIONS

- Connector Type SMA female
- Materials/Colours Aluminium/ eloxal natural
- Weight 69 g ($\leq 2,4$ oz)

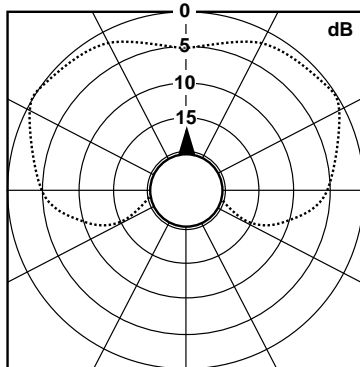
ENVIRONMENTAL SPECIFICATIONS

- Temperature Range -100°C to +210°C (-150°F to +410°F),
Continuously operating
Max. 350° for 30 sec.
- Maximum Speed max. 1.0 mach at 10 km altitude

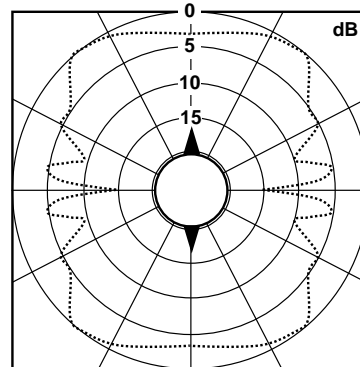
OUTLINE DIMENSIONS



TYPICAL ROLL PLANE PATTERNS for BLADE ANTENNA TB0405

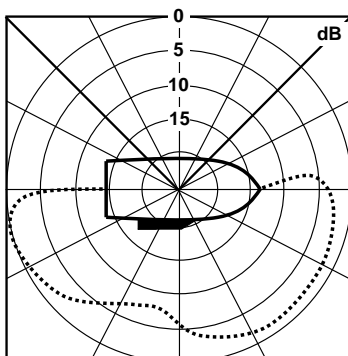


1 Antenna at 430 MHz
/750 mm dia.

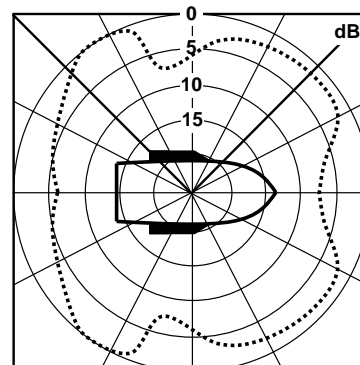


2 Antennas at 430
MHz/750 mm dia.

TYPICAL YAW PLANE PATTERNS for BLADE ANTENNA TB0405



1 Antenna at 430
MHz/750 mm dia.



2 Antennas at 430
MHz/750 mm dia.